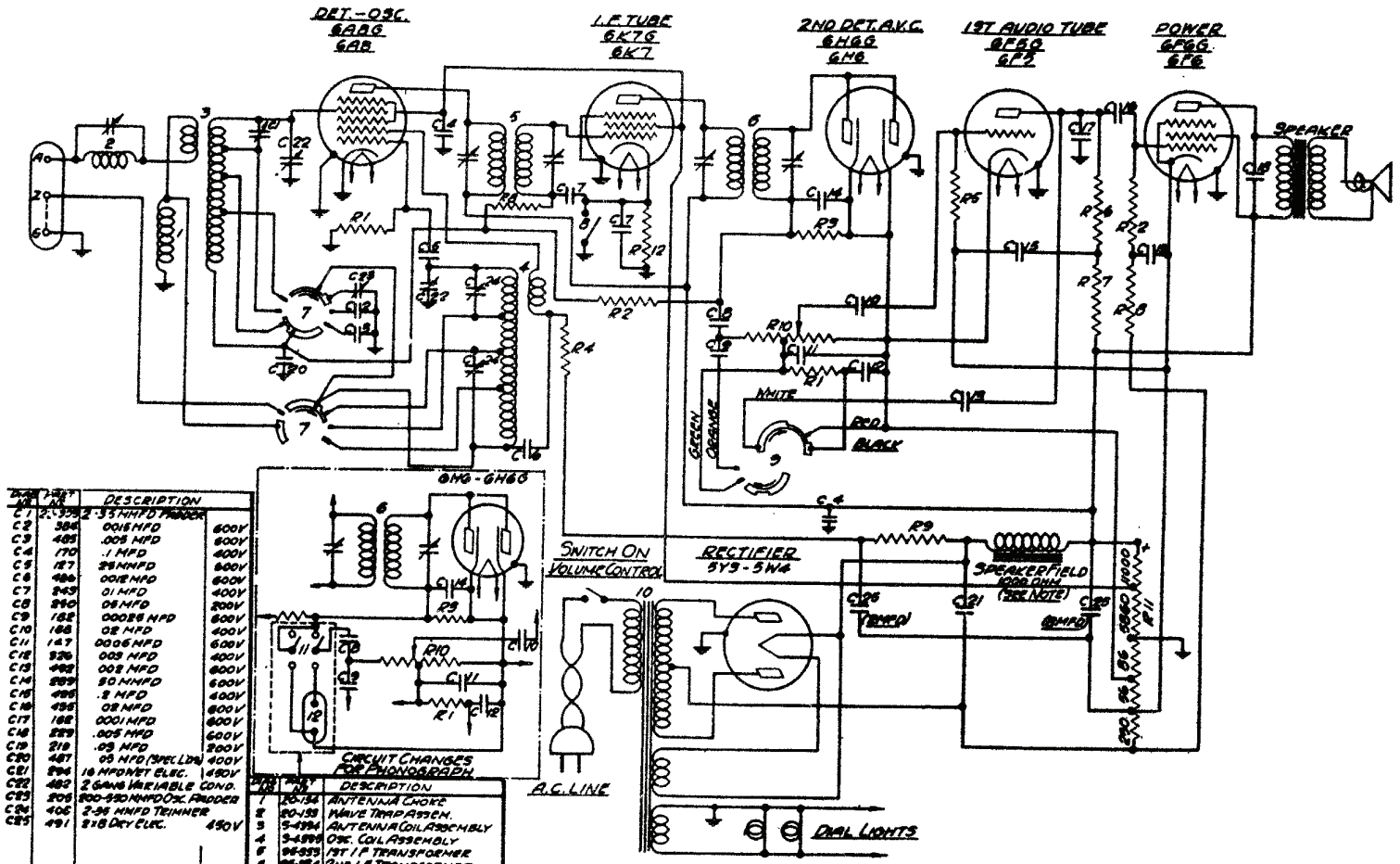


Models 6-S-128, 6-S-137, 6-S-147, 6-S-152, 6-S-157. (Chassis No. 5634)

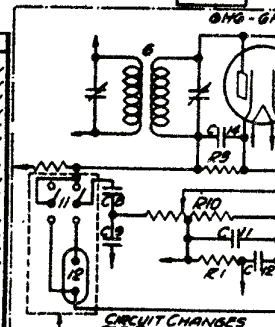
COMPILED BY M. N. BEITMAN, SUPREME PUBLICATIONS

223

MANUAL OF MOST-OFTEN-NEEDED RADIO DIAGRAMS



PART NO.	DESCRIPTION	VALUE
C1	2-5 MFD TRIMMER	
C2	500	.005 MFD 600V
C3	405	.005 MFD 600V
C4	170	.1 MFD 400V
C5	177	.25 MFD 400V
C6	466	.01 MFD 400V
C7	245	.01 MFD 200V
C8	290	.05 MFD 400V
C9	182	.0005 MFD 400V
C10	188	.02 MFD 400V
C11	147	.0005 MFD 400V
C12	326	.005 MFD 400V
C13	462	.005 MFD 400V
C14	203	.50 MFD 400V
C15	400	.5 MFD 400V
C16	458	.02 MFD 400V
C17	182	.0001 MFD 400V
C18	289	.005 MFD 600V
C19	218	.05 MFD 200V
C20	487	.05 MFD (WELL) 400V
C21	396	18 MFD 450V
C22	482	2 G.M.M. VARIABLE COND.
C23	305	500-250 MFD O.C. PAPER
C24	405	2-5 MFD TRIMMER
C25	491	2-5 DRY ELEC. 450V



PART NO.	DESCRIPTION	VALUE
R1	280	40 M OHMS 1/2 W
R2	275	90 M OHMS 1/2 W
R3	481	400 M OHMS 1/2 W
R4	279	11 M OHMS 1/2 W
R5	223	2 M OHMS 1/2 W
R6	288	400 M OHMS 1/2 W
R7	276	190 M OHMS 1/2 W
R8	278	99 M OHMS 1/2 W
R9	383	18 M OHMS 1/2 W
R10	282	500 OHM VOL. CONTROL SW
R11	218	CANONIAN RESISTOR
R12	261	9900 OHMS 1/2 W

NOTE: *22-50 18 MFD DRY ELEC. REPLACE 22-50A MFD ELEC. MODEL 65-147 END TABLE.

SPEAKERS	MODELS
49-117-5'	65-128
	65-137
49-118-10'	65-147
	65-152
	65-157

I.F. FREQUENCY 456 KC.
6 TUBE SUPERHETERODYNE-3 BAND
CHASSIS NO 5634

ZENITH RADIO CORPORATION
CHICAGO, ILLINOIS